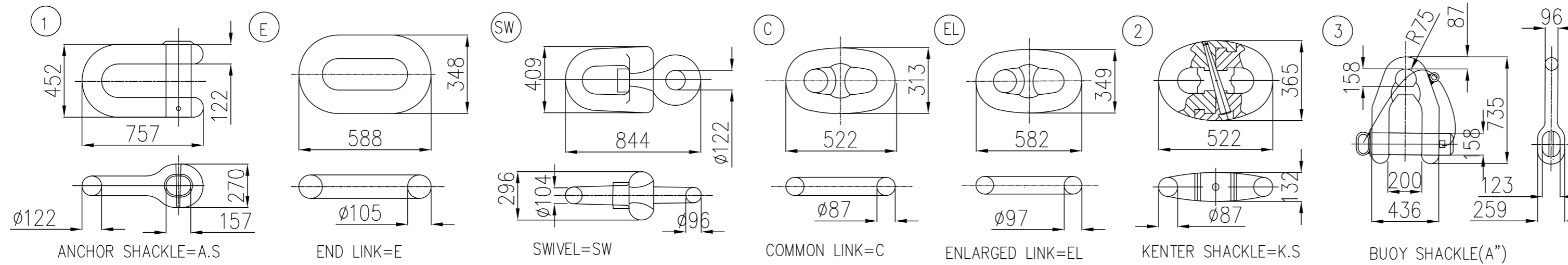
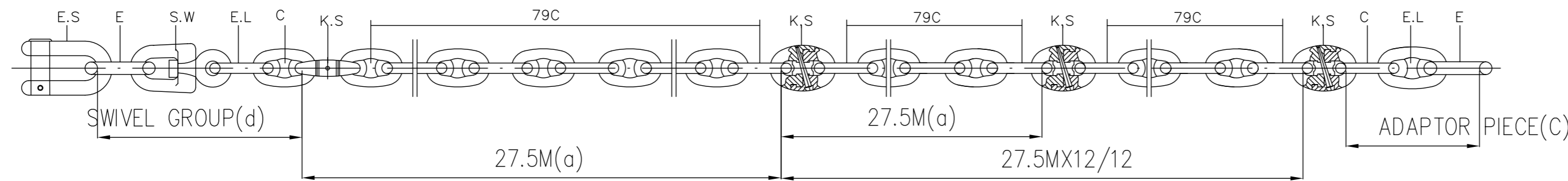


日期 DATE	标记 MARKER	数量 NUMBER	版本 REV.	修改单号/说明 MODIFICATION NO./DESCRIPTION	页码 PAGE	设计 DESIGNED	审核 EXAMINE

TO FORE ANCHOR

CABLE CLENCH

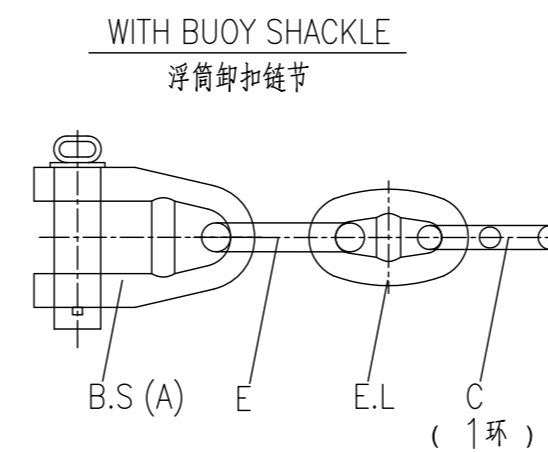


TECHNICAL REQUIREMENTS

- ANCHOR CHAIN IS GRADE K3 DIA Ø87 STUD LINK WELDED ANCHOR CHAIN .
- ANCHOR CHAIN CABLE SHALL BE ACCORDING TO GL RULE REQUIREMENT, GL CERTIFICATE TO BE PROVIDED .
- THE EACH CHAIN'S LENGTH 357.5m, 2 PIECE FOR FULL SHIP, THE QUANTITY IN THE LIST TABLE IS ALL FOR SHIP.
- PAIN AND SIGN FOR CHAIN TO BE IN ACCORDANCE WITH GB553-83 .
- THE KENTLE SHACKLE JOINTING THE CHAIN CABLE SHOULD BE PAINTED RED. THE EQUAL NUMBER OF CHAIN LINKS FORWARD AND BACKWARD THE ORDINAL NUMERICAL SHACKLE SHOULD BE PAINTED WHITE, AND WELD THE 3X30 STAINLESS STEEL MARKS ON THE STUD OF THE OUTER WHITTLE LINK, BUT THE PAINTING MARK OF THE SIXTH CHAIN CABLE IS SIMILAR TO THE FIRST ONE, AND SO ON.
- ALL THE PARTS ARE PURCHASED.

技术说明

- 锚链为 K3 级 Ø87 有档电焊锚链。
- 锚链应符合 GL 规范要求, 并提供 GL 证书。
- 每根锚链长 357.5m, 全船共 2 根, 材料表为整船的需要。
- 锚链的油漆和标志按 GB553-83。
- 链节间的肯特式卸扣应涂红漆。
每节链节按链节序数应在肯特式卸扣前后的相应数量的链环上涂白漆, 并在最外的一个白链环上的横档上焊 3x30 的不锈钢标志环, 但第六节链油漆标志与第一节链同, 其余类推。
最后两节链的链节卸扣应涂黄白相间或红白相间的油漆作为警示标志。
- 所有零件均外购。



MARK	DESCRIPTION	WORK REQ	SPARE NUMBER	TOTAL	MATERIAL	REMARK
12	TOOL BOX		1	1	MILD STEEL	
11	BUOY HOOK		1	1	GRADE 3	
10	HAMMER(4.5 & 0.9KGS)	EACH1	EACH1		CARBON STEEL	
9	CHAIN HOOK	6	6		MILD STEEL	
8	DISENGAGING TOOL FOR K.S	1 SET	1 SET		CARBON STEEL	
7	SHACKLE PUNCH	1	1		CARBON STEEL	
6	PIN PUNCH	1	1		CARBON STEEL	
5	TAPER PIN FOR K.S	5	5		1Cr18Ni9	
4	TAPER PIN FOR A.S	1	1		1Cr18Ni9	
3	BUOY SHACKLE	2	2		M30Mn2	
2	KENTER SHACKLE	28	4	32	M30Mn2	
1	ANCHOR SHACKLE	2	2	4	M30Mn2	
d	SWIVEL GROUP	2	1	3	M30Mn2	E+SW+EL+C
c	ADAPTOR PIECE	2		2	M30Mn2	C+EL+E
a	ANCHOR CHAIN(27.5M)	26		26	M30Mn2	79C

MARK	DESCRIPTION	WORK REQ	SPARE NUMBER	TOTAL	MATERIAL	REMARK
<p>JNSD Shanghai China Tel: +86-021-53025656 Fax: +86-021-63012364 E-mail: jnsd@jnshipyard.com.cn</p>						设计阶段 DES.STA.
<p>5,100 箱集装箱船 5,100TEU CONTAINER VESSEL</p>						完工设计 FINISH DESIGN
<p>文件号 FILE</p>						工程号 HULL NO.
<p>设计 DESIGNED</p>						图号 DRAWING NO.
<p>审核 EXAMINE</p>						重量(kg) WEIGHT
<p>校对 CHECKED</p>						比例 SCALE
<p>会签 COUNTERSIGN</p>						1:50
<p>标准 STANDARDIZED</p>						面积 AREA
<p>共 1 页 TOTAL SHEETS</p>						第 1 页 SHEET
<p>上海江南长兴重工有限责任公司 SHANGHAI JIANGNAN CHANGXING HEAVY INDUSTRY CO., LTD.</p>						